



Illustrated Parts List

Model Series

303700

TYPE NUMBERS
0007 through 1206.

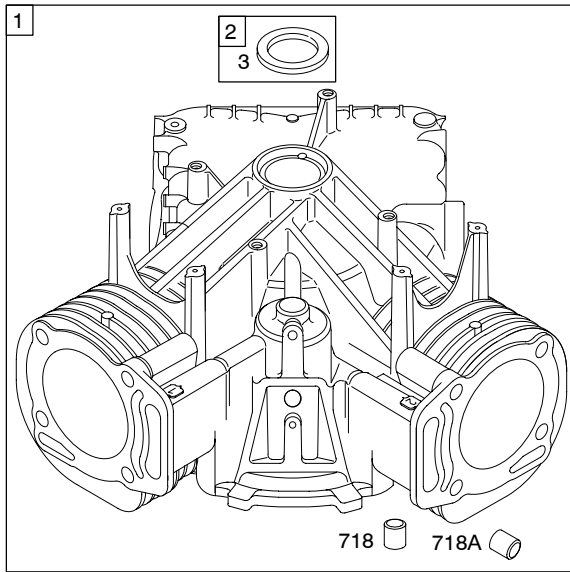
TABLE OF CONTENTS

Air Cleaner	7
Alternator	6
Blower Housing	11
Camshaft	3
Carburetor	5
Controls	6
Crankshaft	3
Cylinder	2
Cylinder Head	4
Electric Starter	13
Engine Sump	2
Exhaust System	8
Flywheel	10
Fuel Supply	5
Gasket Set-Engine	2
Gasket Set-Valve	4
Ignition	6
Intake Manifold	3
Kit-Carburetor Overhaul	5
Lubrication	14
Piston, Rings, Connecting Rod	2
Rewind Starter	9
Shroud	12
Valves	4

PRINTED IN U.S.A.



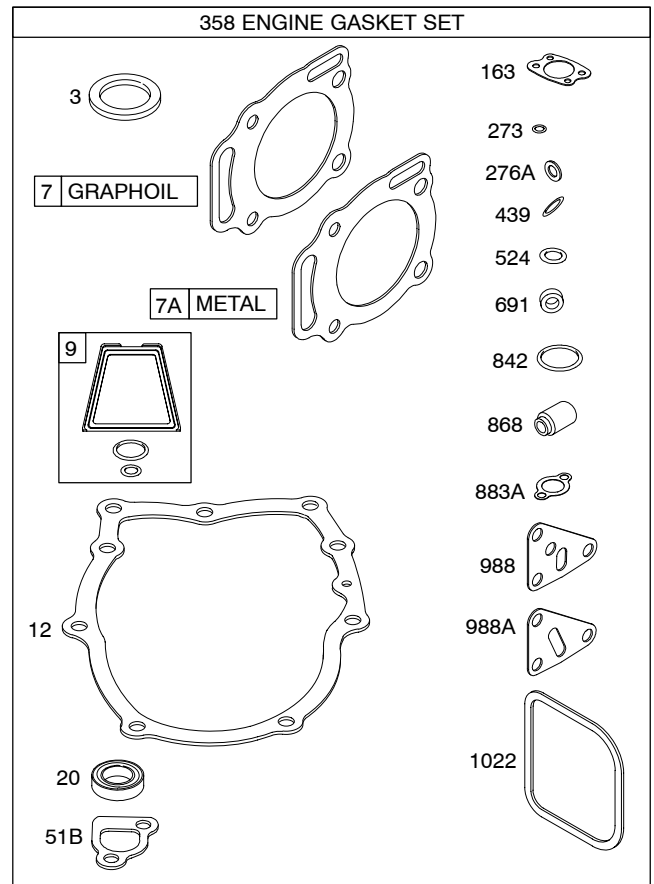
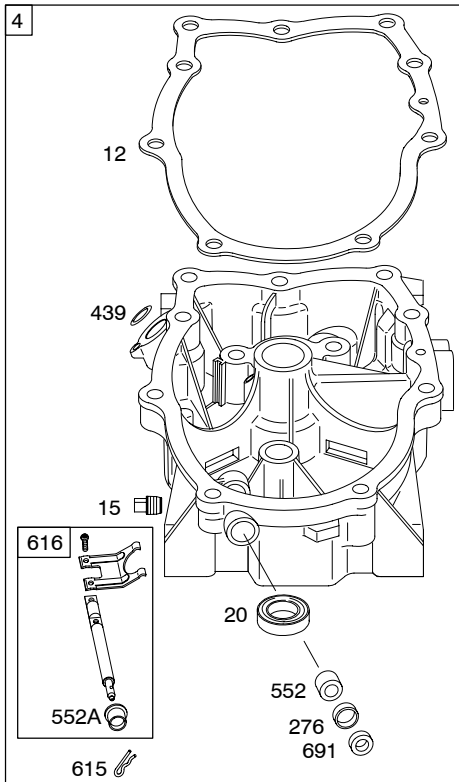
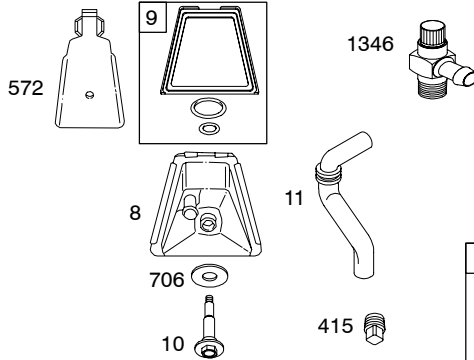
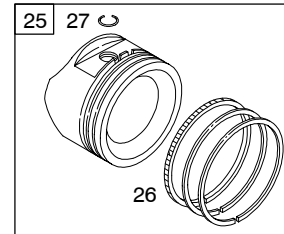
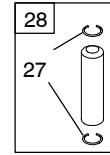
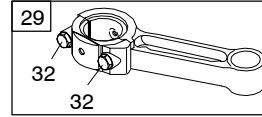
COPYRIGHT by BRIGGS & STRATTON CORPORATION
All rights reserved. No part of this material may be reproduced or transmitted, in any form or by any means, electronic or mechanical, including photocopying, recording or by any information storage and retrieval system, without permission in writing from Briggs & Stratton Corporation.



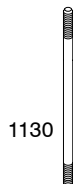
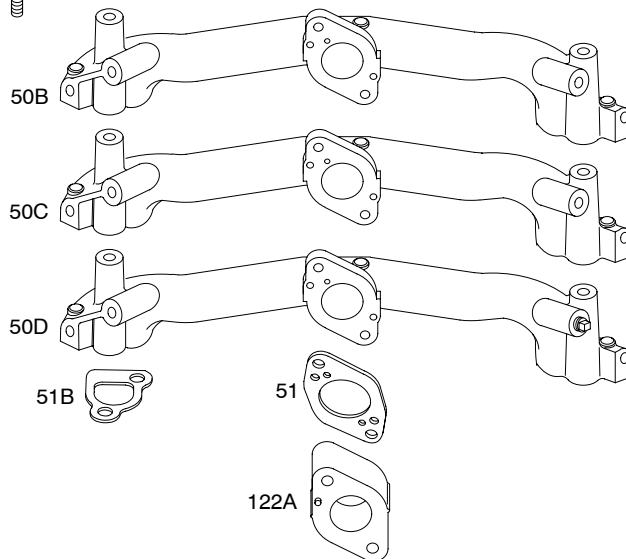
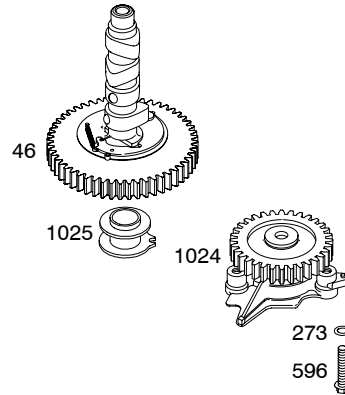
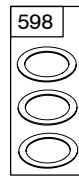
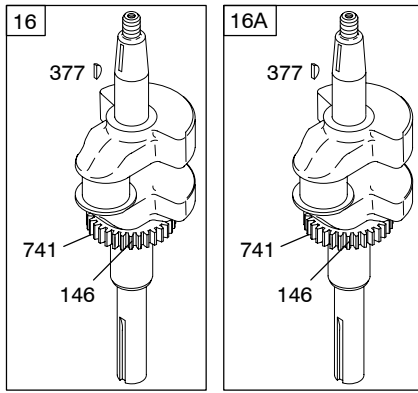
1019 LABEL KIT

1330 REPAIR MANUAL

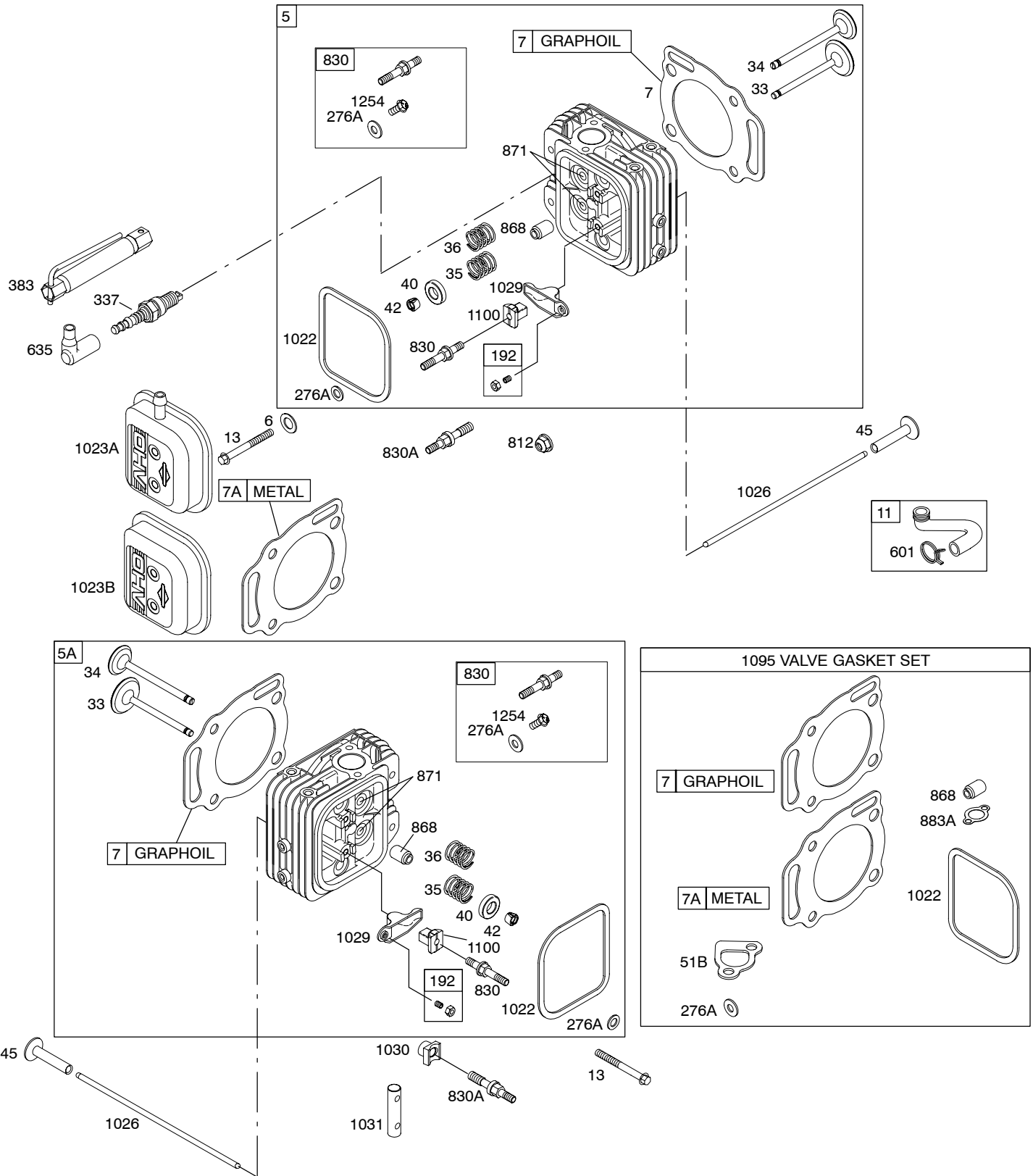
1058 OPERATOR'S MANUAL



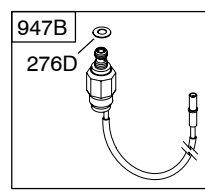
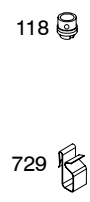
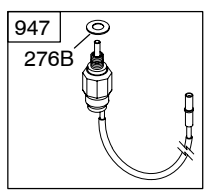
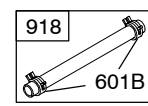
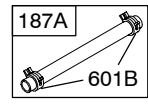
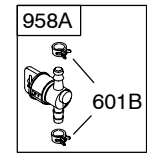
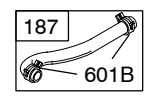
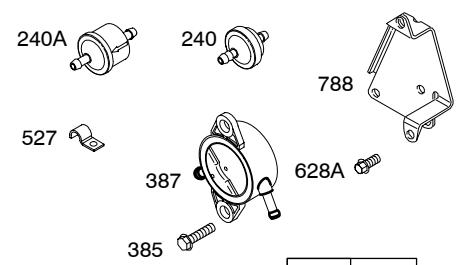
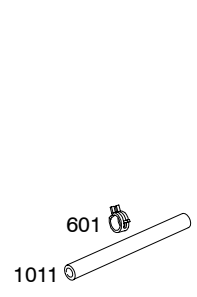
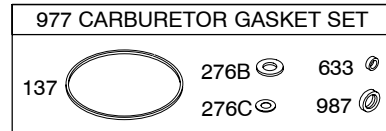
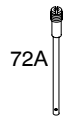
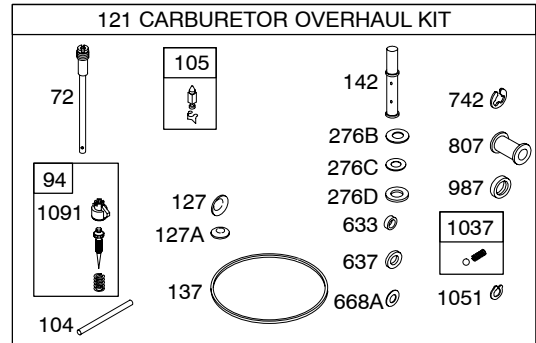
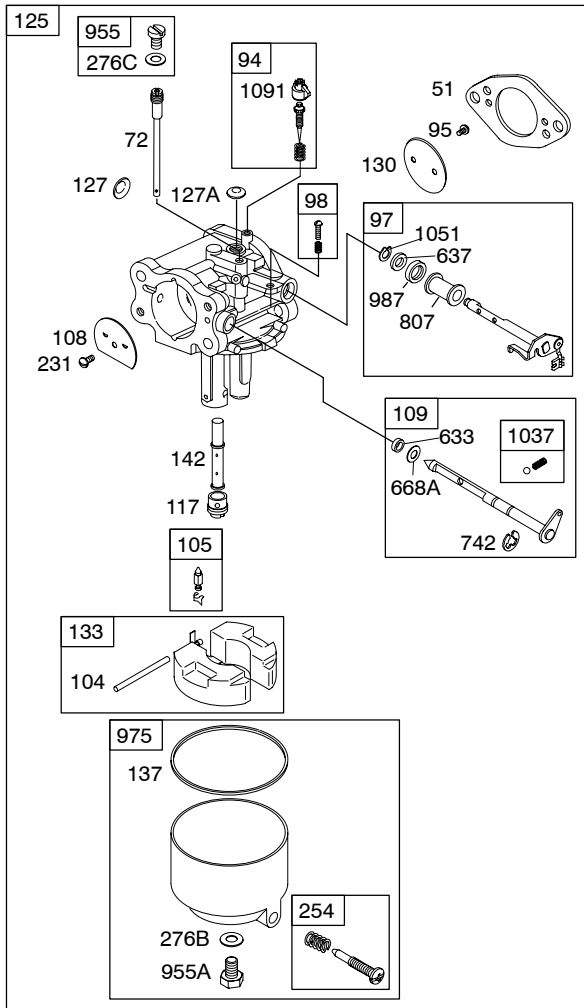
Illustrations cover a range of engines. Parts shown without corresponding text may not be used on your specific engine.
 9727-2 Assemblies include all parts shown in frames. 12/20/2005

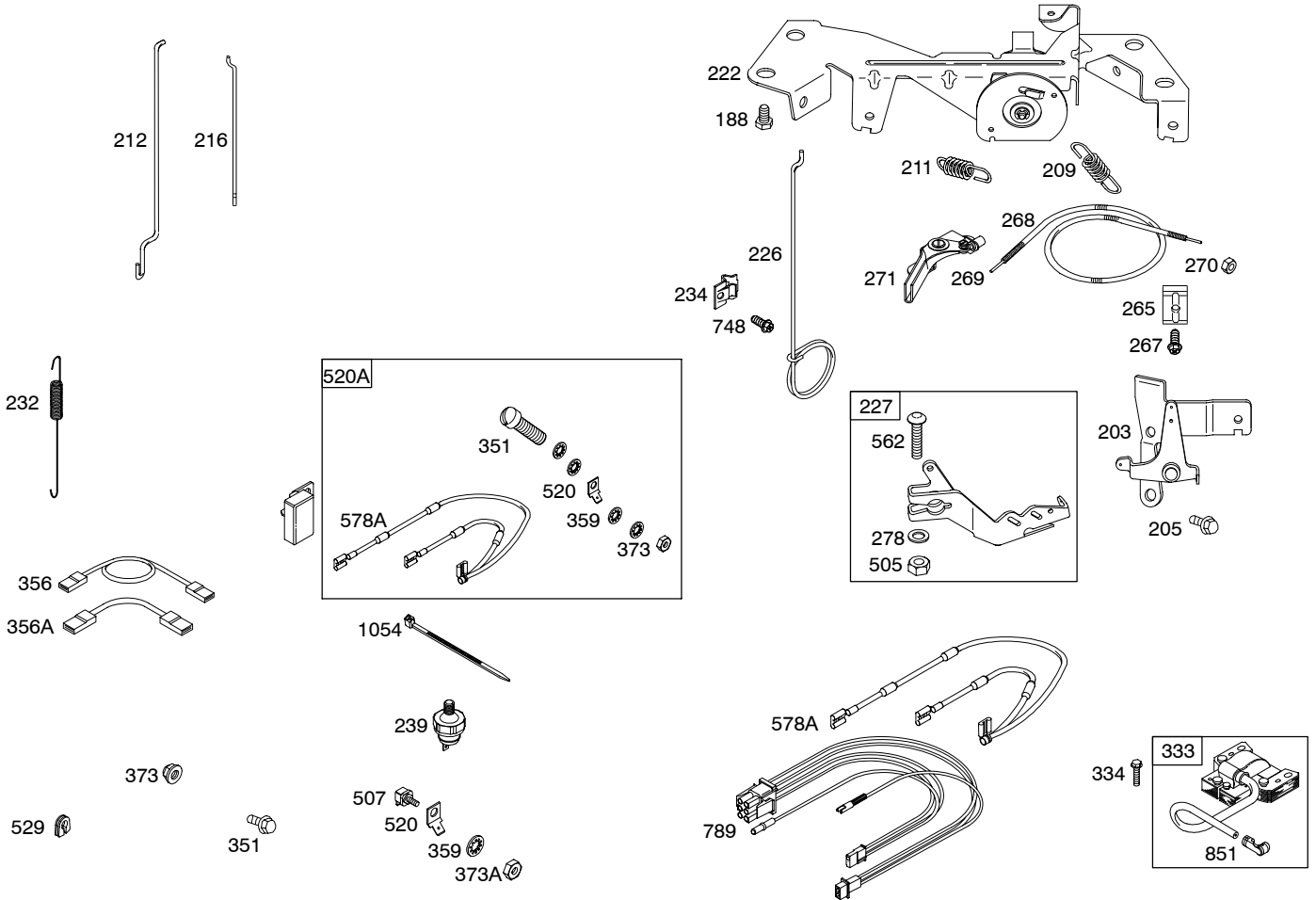


Illustrations cover a range of engines. Parts shown without corresponding text may not be used on your specific engine.
 9727-3 Assemblies include all parts shown in frames. 12/20/2005

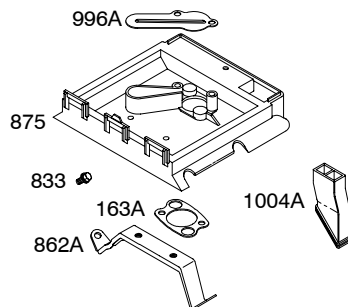
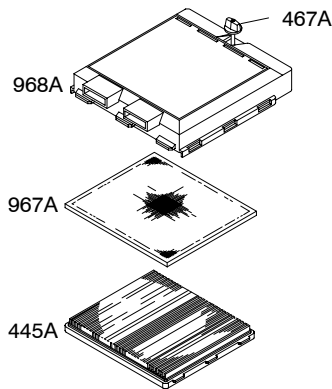
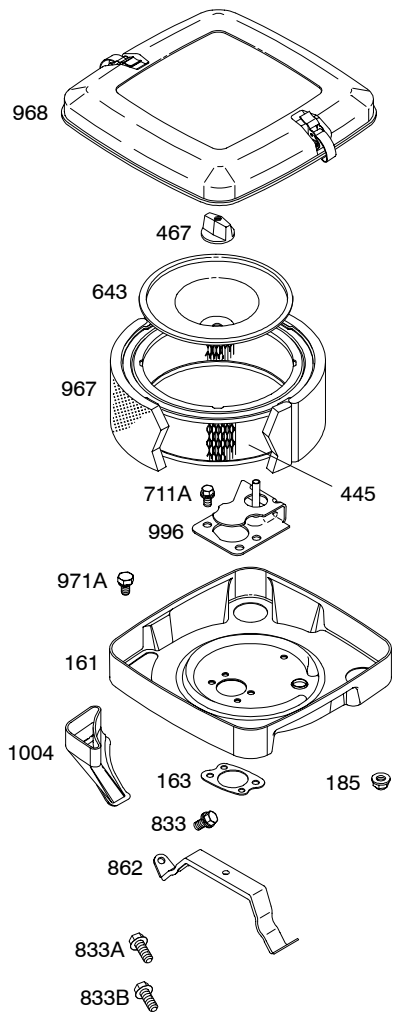


Illustrations cover a range of engines. Parts shown without corresponding text may not be used on your specific engine.
 9727-4 Assemblies include all parts shown in frames. 12/20/2005



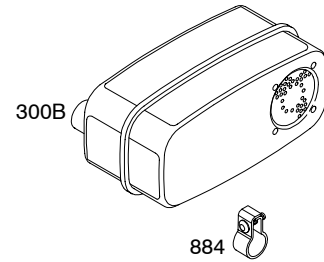
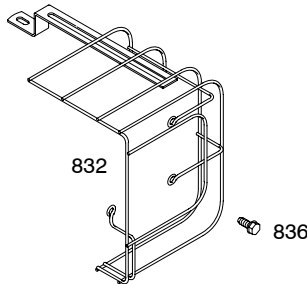
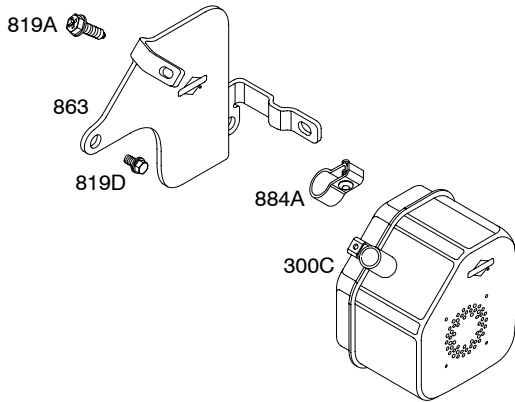
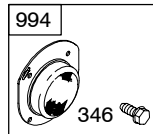
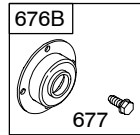
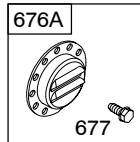
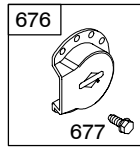
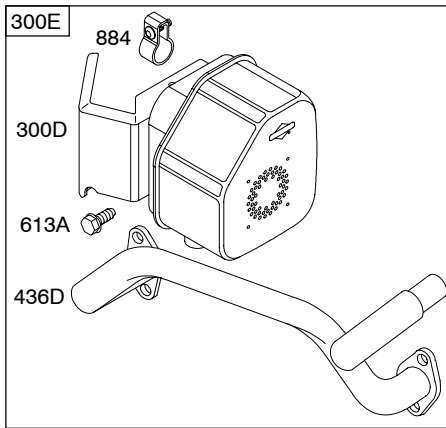
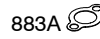
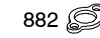
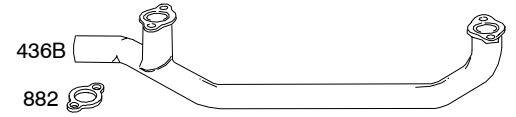
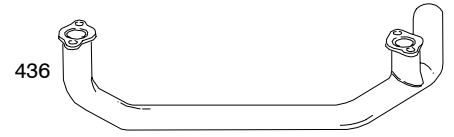
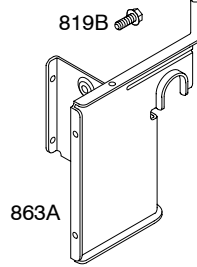
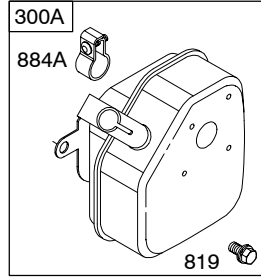
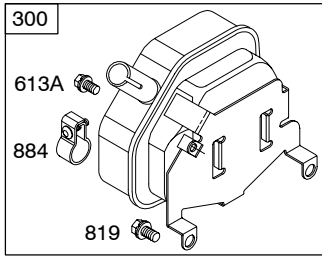


DC ONLY	DUAL CIRCUIT	TRI CIRCUIT	5 - 9 AMP	10 - 16 AMP
474A 	474B 	474C 	474C 	474D
578 	878 	878A 	578 	578
NOTE: All stators use a No. 1119 mounting screw.			526A 	526



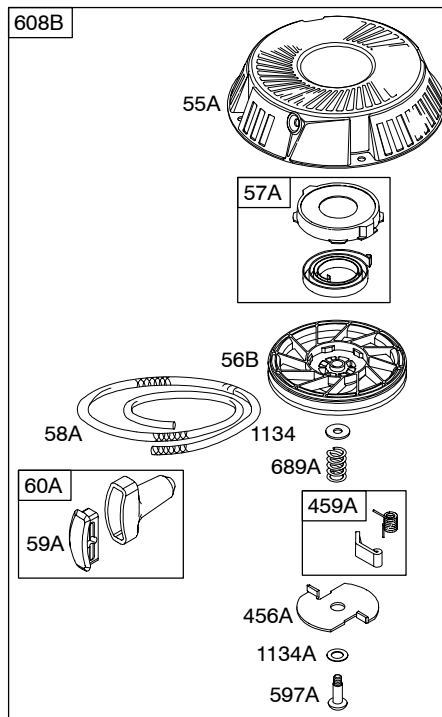
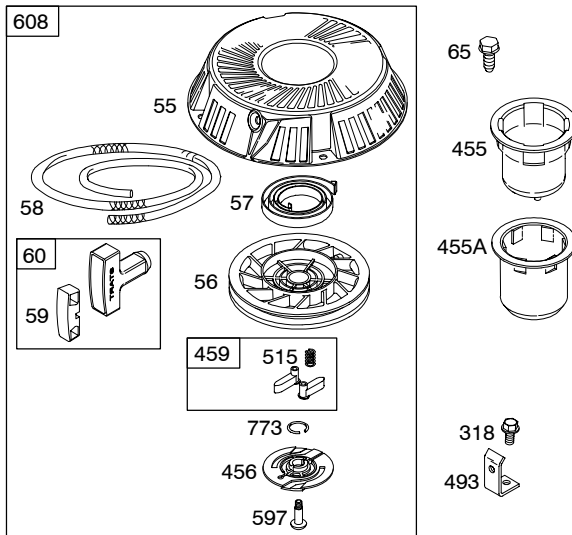
Illustrations cover a range of engines. Parts shown without corresponding text may not be used on your specific engine.
 9727-7 Assemblies include all parts shown in frames. 12/20/2005

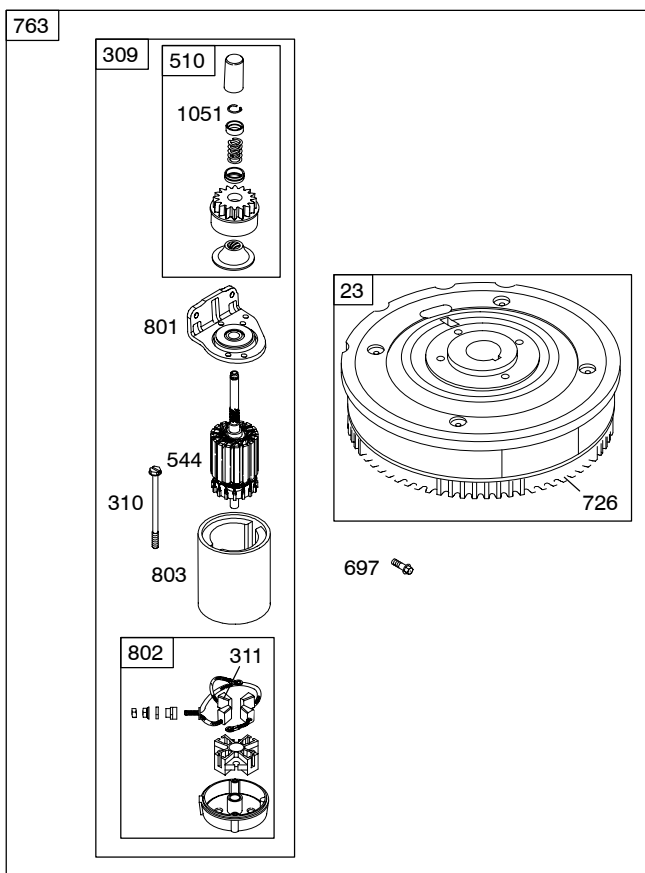
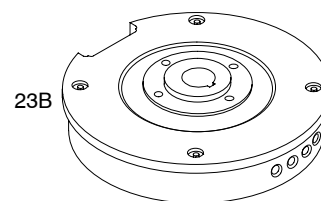
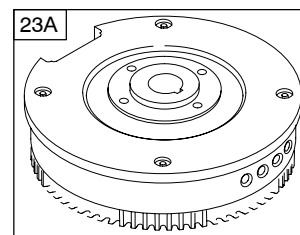
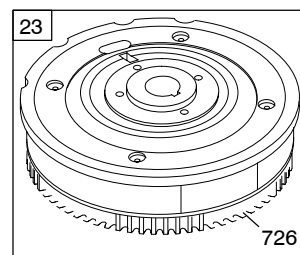
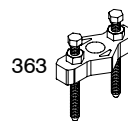
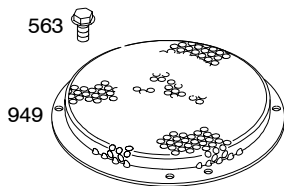
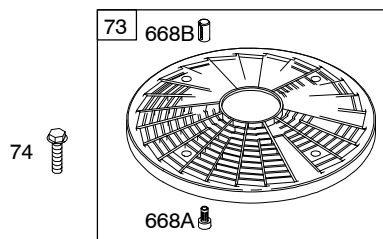
303700



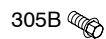
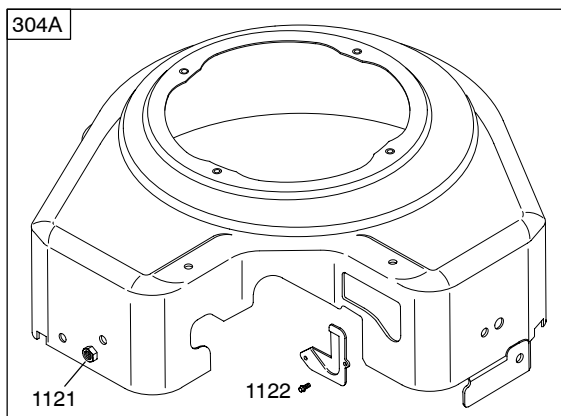
Illustrations cover a range of engines. Parts shown without corresponding text may not be used on your specific engine.
 9727-8 Assemblies include all parts shown in frames.

12/20/2005

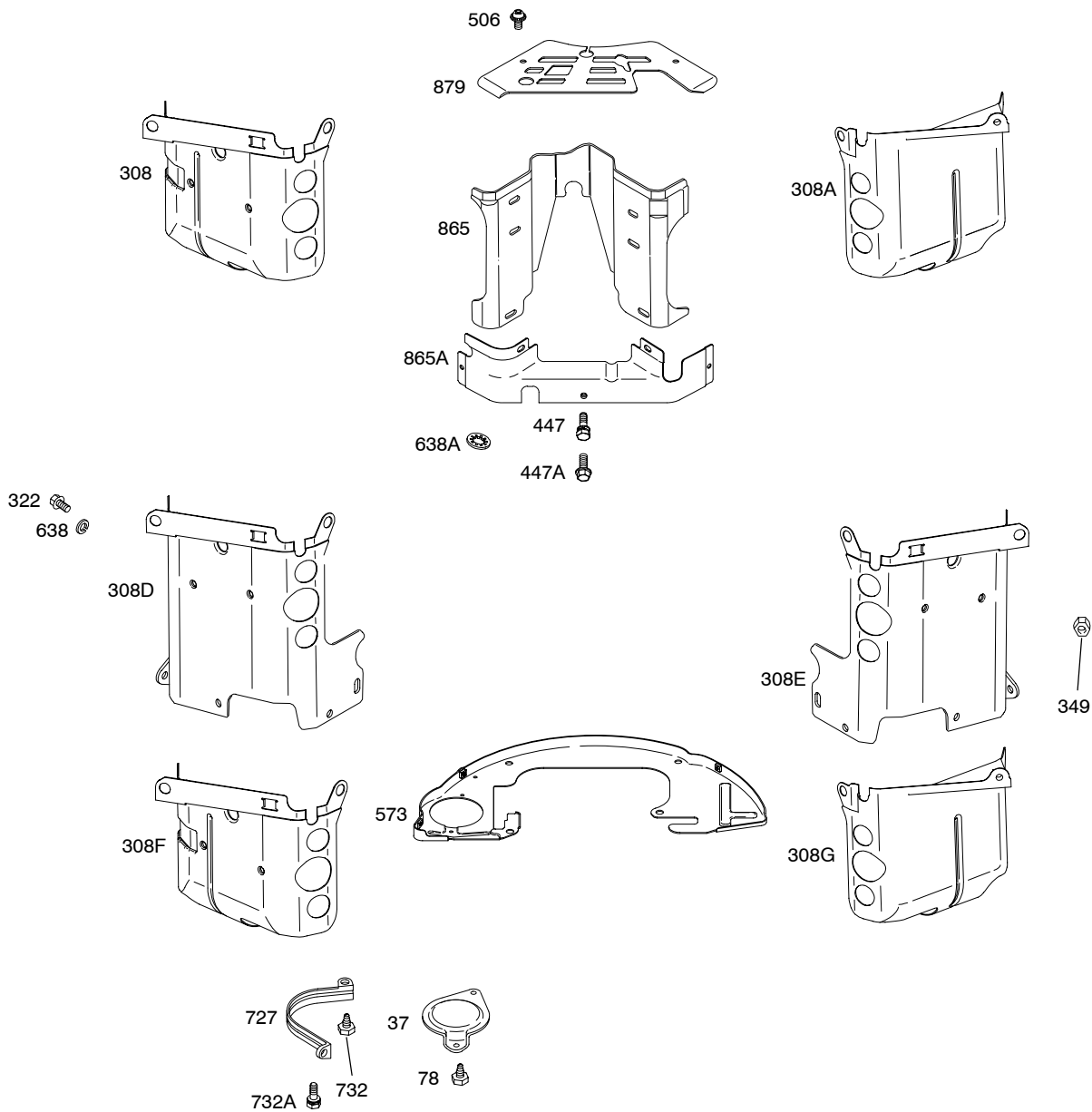




Illustrations cover a range of engines. Parts shown without corresponding text may not be used on your specific engine.
 9727-10 Assemblies include all parts shown in frames.

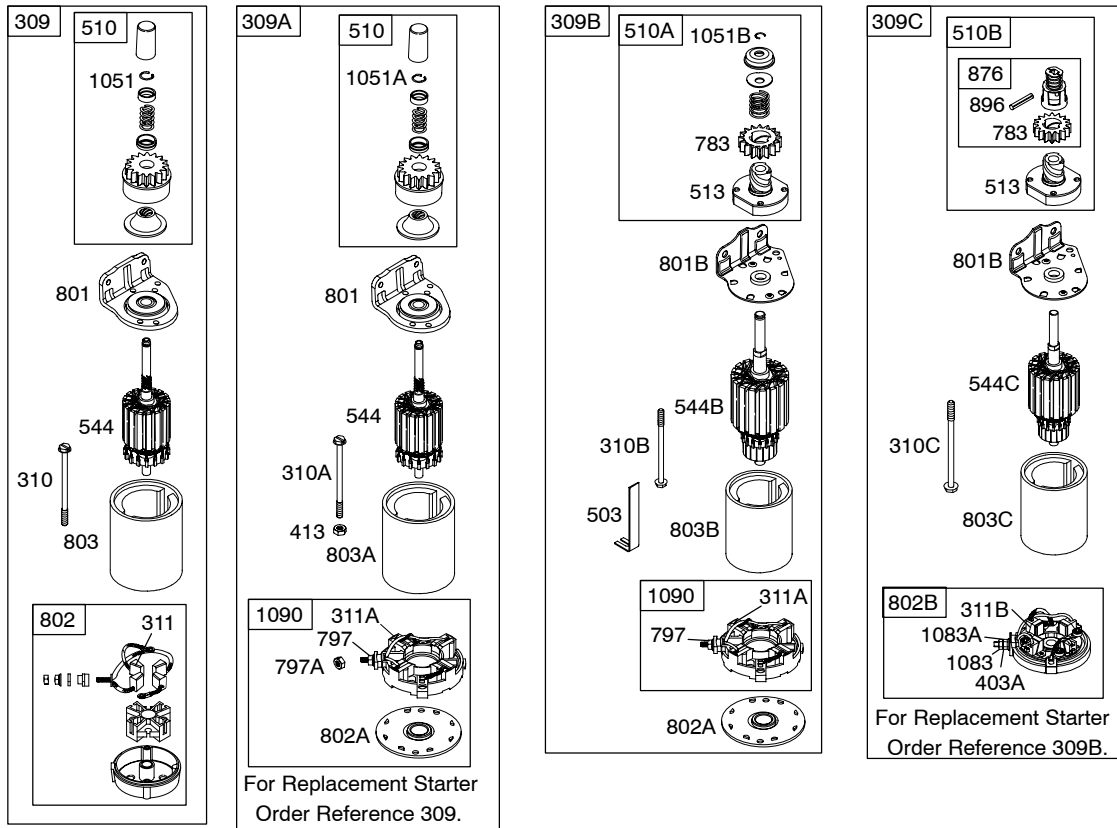


1036 EMISSION LABEL

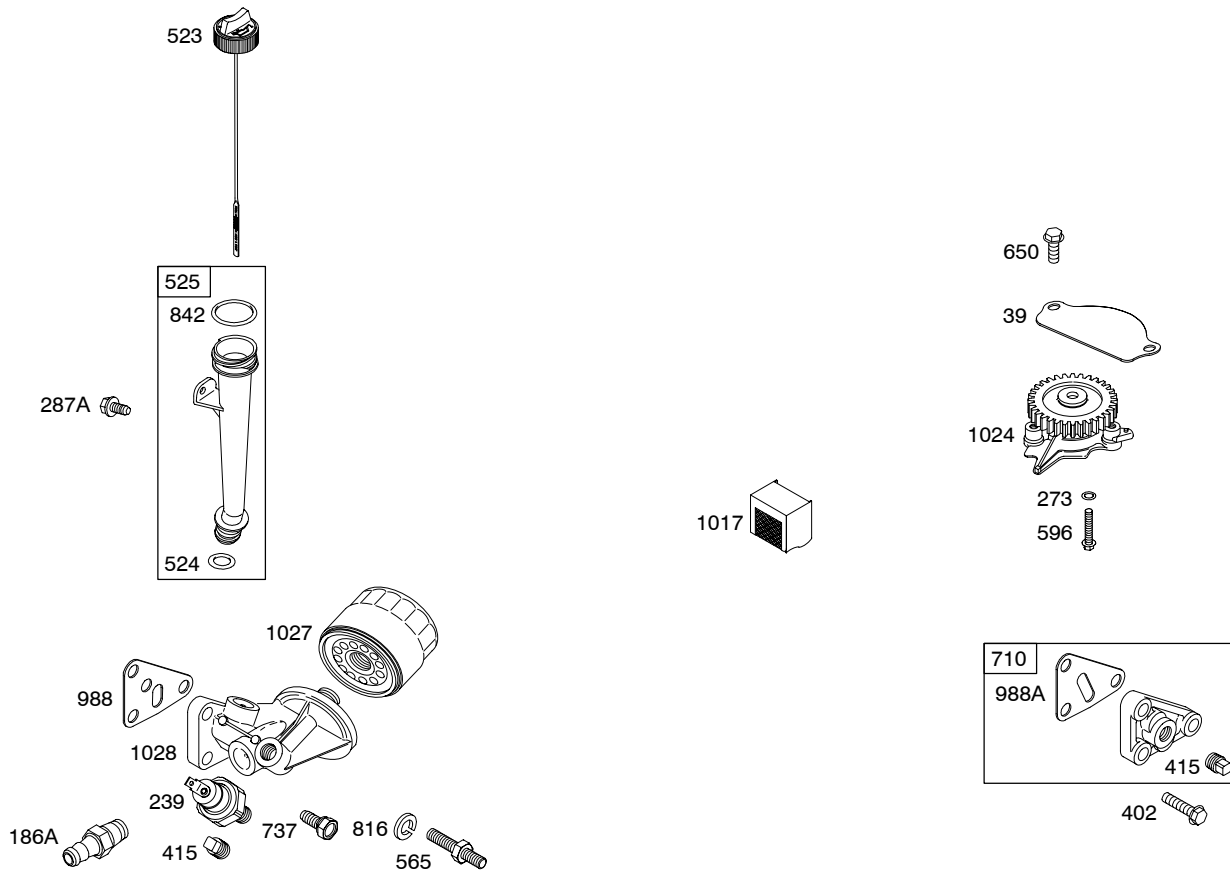


Illustrations cover a range of engines. Parts shown without corresponding text may not be used on your specific engine.

697 



Illustrations cover a range of engines. Parts shown without corresponding text may not be used on your specific engine.



Illustrations cover a range of engines. Parts shown without corresponding text may not be used on your specific engine.
9727-14

Assemblies include all parts shown in frames.

12/20/2005

REF. NO.	PART NO.	DESCRIPTION	REF. NO.	PART NO.	DESCRIPTION	REF. NO.	PART NO.	DESCRIPTION
1	692543	Cylinder Assembly (Used After Code Date 97043000). ----- Note ----- 807511 Cylinder Assembly (Used Before Code Date 97050100).	11	806083s	Tube-Breather	23A	690919	Flywheel (Aluminum Ring Gear) ----- Note ----- Flywheel (For Replacement Flywheel, Order Part Number 808190 , Ref. No. 763) Used on Type No(s). 0100, 0101, 0127, 0139, 0428, 0430, 0434, 1121.
2	808534	Kit-Bushing/Seal (Magneto Side) (Used After Code Date 97043000). ----- Note ----- 807687 Kit-Bushing/Seal (Magneto Side) (Used Before Code Date 97050100).	12	★691684	Gasket-Crankcase	23B	690889	Flywheel (Rewind Starter)
			13	692059	Screw (Cylinder Head) (86mm Long)	25	807619	Piston Assembly (Standard) ----- Note ----- 807809 Piston Assembly (.020" Oversize)
			15	690946	Plug-Oil Drain (Square Head)	26	807620	Ring Set (Standard) ----- Note ----- 807810 Ring Set (.020" Oversize)
			16	692159	Crankshaft (Used After Code Date 97043000). ----- Note ----- 807586 Crankshaft (Used Before Code Date 97050100). 807804 Crankshaft (Used Before Code Date 97050100). Used on Type No(s). 0330, 0425, 1125.			
3	★805101s	Seal-Oil (Magneto Side)	16A	692160	Crankshaft (Used After Code Date 97043000). Used on Type No(s). 0119, 1125. ----- Note ----- 807587 Crankshaft (Used Before Code Date 97050100). Used on Type No(s). 0119.	27	690683	Lock-Piston Pin
4	808846	Sump-Engine				28	807621	Pin-Piston
5	809200	Head-Cylinder (Cylinder 1)	20	★805049s	Seal-Oil (PTO Side)	29	807900s	Rod-Connecting (Standard) ----- Note ----- 807803 Rod-Connecting (.020" Undersize)
5A	809201	Head-Cylinder (Cylinder 2)	22	807362	Screw (Crankcase Cover/Sump)	32	690698	Screw (Connecting Rod)
6	805193	Washer (Cylinder Head) (Used Before Code Date 94050100).	23	808766	Flywheel (Steel Ring Gear) ----- Note ----- 808774 Flywheel (Steel Ring Gear) Used on Type No(s). 1128, 1130, 1145, 1147, 1149, 1169, 1171, 1172, 1173, 1175.	33	807681	Valve-Exhaust
7A	★806085s	Gasket-Cylinder Head (Graphoil) (Used After Code Date 96033100).				34	807680	Valve-Intake
7A	△★807986	Gasket-Cylinder Head (Metal) (Used Before Code Date 96040100).				35	692084	Spring-Valve (Intake)
8	808988	Breather Assembly				36	692084	Spring-Valve (Exhaust)
9	★809094	Gasket-Breather				37	690715	Guard-Flywheel (Black) ----- Note ----- 841309 Guard-Flywheel Used on Type No(s). 1020, 1045, 1046, 1055, 1102, 1130, 1156, 1188, 1193, 1206.
10	690751	Screw (Breather Assembly) (Used After Code Date 90111400). ----- Note ----- 805194 Screw (Breather Assembly) (Used Before Code Date 90111500).						

★ Included in Engine Gasket Set-Ref. No. 358.

● Included in Carburetor Overhaul Kit-Ref. No. 121.

◆ Included in Carburetor Gasket Set-Ref. No. 977.

△ Included in Valve Gasket Set-Ref. No. 1095.

Illustrations cover a range of engines. Parts shown without corresponding text may not be used on your specific engine.

303700

REF. NO.	PART NO.	DESCRIPTION	REF. NO.	PART NO.	DESCRIPTION	REF. NO.	PART NO.	DESCRIPTION
39	690745	Deflector–Oil	72A	694069	Tube–Jet (High Altitude) (Used After Code Date 98062600).	122A	690753	Spacer–Carburetor (Used After Code Date 92061600). ----- Note -----
40	692058	Retainer–Valve	73	494439	Screen–Rotating			690692 Spacer– Carburetor (Used Before Code Date 92061700).
42	807683	Keeper–Valve	74	691647	Screw (Rotating Screen)	125	808728	Carburetor (Used After Code Date 92040600). ----- Note -----
45	690977	Tappet–Valve	75	691490	Washer (Flywheel)			807639 Carburetor (Used Before Code Date 92040700).
46	691557	Camshaft	78	690688	Screw (Flywheel Guard)	127	690731	Plug–Welch (6.9mm Diameter)
50B	690754	Manifold–Intake	94	808258	Kit–Idle Mixture (Used After Code Date 95092700). ----- Note -----	127A	690730	Plug–Welch (9mm Diameter)
50C	692156	Manifold–Intake Used on Type No(s). 1165.				130	690732	Valve–Throttle
50D	692124	Manifold–Intake Used on Type No(s). 1156.	95	690728	Screw (Throttle Valve)	133	807710	Float–Carburetor
51	691694	Gasket–Intake (Manifold/Carburetor Spacer)	97	808323	Shaft–Throttle	137	806481	Gasket–Float Bowl
51B	692035	Gasket–Intake (Manifold/Heads)	98	807705	Kit–Idle Speed	142	806635	Nozzle–Carburetor (Standard) (Used After Code Date 98062600). ----- Note -----
54	690676	Screw (Intake Manifold)	104	690739	Pin–Float Hinge			807960 Nozzle– Carburetor (Standard) (Used After Code Date 92040600 and Before Code Date 98062700).
55	691568	Housing–Rewind Starter	105	807706	Valve–Float Needle			807712 Nozzle– Carburetor (Standard) (Used Before Code Date 92040700).
55A	492193	Housing–Rewind Starter	108	690729	Valve–Choke	146	691639	Key–Timing
56	692085	Pulley–Starter	109	807711	Shaft–Choke	161	691561	Base–Air Cleaner (Metal)
56B	280918	Pulley–Starter	117	806487	Jet–Main (Standard) (Used After Code Date 98062600).	163	692081	Gasket–Air Cleaner (Used With Metal Air Cleaner Base)
57	692086	Spring–Rewind Starter	118	806634	Jet–Main (High Altitude) (Used After Code Date 98062600).	163A	692052	Gasket–Air Cleaner (Used With Plastic Air Cleaner Base)
57A	492194	Spring–Rewind Starter	121	808807	Kit–Carburetor Overhaul (Used After Code Date 98062600). ----- Note -----	185	690939	Nut (Air Cleaner Base)
58	66574	Rope–Starter (Cut To Required Length)						
58A	695002	Rope–Starter (Cut To Required Length)						
59	805957	Insert–Grip						
59A	490653	Insert–Grip						
60	808167	Grip–Starter Rope						
60A	490652	Grip–Starter Rope						
65	691982	Screw (Rewind Starter)						
72	806488	Tube–Jet (Used After Code Date 98062600). ----- Note ----- 690755 Tube–Jet (Used After Code Date 92040600 and Before Code Date 98062700). 806480 Tube–Jet (Used Before Code Date 92040700).						

★ Included in Engine Gasket Set–Ref. No. 358.

● Included in Carburetor Overhaul Kit–Ref. No. 121.

◆ Included in Carburetor Gasket Set–Ref. No. 977.

△ Included in Valve Gasket Set–Ref. No. 1095.

Illustrations cover a range of engines. Parts shown without corresponding text may not be used on your specific engine.

REF. NO.	PART NO.	DESCRIPTION	REF. NO.	PART NO.	DESCRIPTION	REF. NO.	PART NO.	DESCRIPTION
186A	691764	Connector-Hose		691508	Spring-Governor	240A	691035	Filter-Fuel
187	791745	Line-Fuel (Used After Code Date 05070300). Used on Type No(s). 1172, 1173, 1206. ----- Note ----- 296004 Line-Fuel (Used Before Code Date 05070400). Used on Type No(s). 1172, 1173.			(Blue) Used on Type No(s). 0007, 0121, 0127, 0131, 0135, 0137, 0440, 1116, 1132, 1140, 1150, 1168, 1170, 1188. 690710 Spring-Governor (Silver) Used on Type No(s). 0122, 0331, 0411, 0418, 0424, 0434, 0439, 1111, 1114, 1118, 1124, 1139, 1145, 1151, 1162, 1163, 1164, 1165. 692072 Spring-Governor (Purple) Used on Type No(s). 0416, 0420, 0426, 0431, 0438, 1116, 1120, 1126, 1131, 1138, 1148, 1166, 1169, 1171, 1172, 1173.			(Includes Paper Element With A 40 Micron Rating) 254 807713 Drain-Carburetor Bowl 265 691024 Clamp-Casing 267 692083 Screw (Casing Clamp) 268 691025 Casing-Control Wire (Cut To Required Length) 269 691026 Wire-Control (Cut To Required Length) 270 691027 Nut (Control Wire Casing) 271 691028 Lever-Control 273 ★690681 Seal-O Ring (Oil Pump) 276 690704 Washer-Sealing (Crankcase Cover/Sump) 276A ★△807085 Washer-Sealing (Rocker Cover) (Used After Code Date 01120200). ----- Note ----- 691766 Washer-Sealing (Rocker Cover) (Used Before Code Date 01120300). 276B ◆●806476 Washer-Sealing (Float Bowl) 276C ◆●806477 Washer-Sealing (Carburetor Plug) 276D ●692343 Washer-Sealing (Float Bowl) 278 842122 Washer (Governor Control Lever) 287A 807084 Screw (Dipstick Tube) 300 Muffler (For Replacement Muffler, Use 692099)
187A	791766	Line-Fuel (Cut To Required Length) (Used After Code Date 05070300). ----- Note ----- 691050 Line-Fuel (Cut To Required Length) (Used Before Code Date 05070400).	211	692069	Spring-Governed Idle			
188	692056	Screw (Control Bracket)	212	690712	Link-Throttle			
192	807623	Adjuster-Rocker Arm	216	690705	Link-Choke			
203	690923	Crank-Bell	222	808454	Bracket-Control			
205	692083	Screw (Bell Crank)	226	692075	Rod-Hand Choke			
209	692070	Spring-Governor (Red) ----- Note ----- 692071 Spring-Governor (White) Used on Type No(s). 0032, 0124, 0133, 0330, 0332, 0412, 0425, 0430, 0431, 0436, 1032, 1035, 1112, 1121, 1125, 1130, 1134, 1136, 1138, 1142, 1144, 1147, 1153, 1161, 1174, 1189, 1191, 1192, 1193, 1194, 1195, 1196, 1199, 1202.	227	690236	Lever-Governor Control 231 690728 Screw (Choke Valve) 232 692073 Spring-Governor Link 234 691723 Clip-Control Rod 239 690233 Switch-Oil Pressure (Oil GARD Only) 240 394358s Filter-Fuel (White, 75 Microns)			

★ Included in Engine Gasket Set-Ref. No. 358.

● Included in Carburetor Overhaul Kit-Ref. No. 121.

◆ Included in Carburetor Gasket Set-Ref. No. 977.

△ Included in Valve Gasket Set-Ref. No. 1095.

Illustrations cover a range of engines. Parts shown without corresponding text may not be used on your specific engine.

303700

REF. NO.	PART NO.	DESCRIPTION	REF. NO.	PART NO.	DESCRIPTION	REF. NO.	PART NO.	DESCRIPTION
300A	807742	Muffler	308F	841182	Cover-Cylinder Head (Cylinder 2) (Used After Code Date 03103100).	337	491055s	Plug-Spark ----- Note -----
300B	498984s	Muffler						792015 Plug-Spark Used on Type No(s). 1020, 1033, 1035, 1055, 1116, 1120, 1128, 1130, 1134, 1138, 1139, 1148, 1149, 1164, 1167, 1168, 1169, 1170, 1171, 1172, 1173, 1174, 1175, 1192, 1193, 1194, 1195, 1196, 1199, 1202.
300D	692099	Muffler	308G	806546	Cover-Cylinder Head (Cylinder 2) (Used Before Code Date 03110100).	346	690661	Screw (Spark Arrestor)
300E	807969	Muffler	309	691564	Motor-Starter (Steel Ring Gear Only)	349	690238	Nut (Cylinder Head Cover)
304A	807814	Housing-Blower (Black)(For Plastic Air Cleaner Base) (Used After Code Date 90111600). ----- Note ----- 808055 Housing-Blower (Red) 808408 Housing-Blower (Black)	309A		Motor-Starter (Services Steel Ring Gear Only)(For Replacement Starter Motor, See Reference 309)	351	692083	Screw (Ground Terminal)
305	692056	Screw (Blower Housing)	309B	499521	Motor-Starter	356A	807594	Wire-Stop (Cylinder 1)
305A	692062	Screw (Blower Housing)	309C		Motor-Starter (For Replacement Starter Motor, See Reference 309B)	357	691483	Key-Drive Pulley
305B	841233	Screw (Blower Housing)	310	496880	Screw (Starter Motor)	358	842722	Gasket Set-Engine (Used After Code Date 01120200). ----- Note ----- 808390 Gasket Set-Engine (Used Before Code Date 01120300).
308	841232	Cover-Cylinder Head (Cylinder 1) (Used After Code Date 90111600). ----- Note ----- 807656 Cover-Cylinder Head (Cylinder 1) (Used Before Code Date 90111700).	310A	690323	Screw (Starter Motor)	359	691077	Washer (Ground Terminal)
308A	807869	Cover-Cylinder Head (Cylinder 2) (Used After Code Date 90111600). ----- Note ----- 807657 Cover-Cylinder Head (Cylinder 2) (Used Before Code Date 90111700).	310B	691263	Screw (Starter Motor)	363	19203	Puller-Flywheel
308D	841317	Cover-Cylinder Head (Cylinder 1)	310C	692329	Screw (Starter Motor) (5-3/8" Long)	365A	690695	Screw (Carburetor)
308E	806544	Cover-Cylinder Head (Cylinder 2)	311	496887	Brush Set	373	691612	Nut (Ground Terminal)
			311A	497608	Brush Set			
			311B	490311	Brush Set (4 9/16" Housing Length)			
			318	841233	Screw (Mounting Bracket)			
			322	692067	Screw (Cylinder Head Cover)			
			332	690887	Nut (Flywheel)			
			333	492341	Armature-Magneto			
			334	692066	Screw (Magneto Armature)			

★ Included in Engine Gasket Set-Ref. No. 358.

● Included in Carburetor Overhaul Kit-Ref. No. 121.

◆ Included in Carburetor Gasket Set-Ref. No. 977.

△ Included in Valve Gasket Set-Ref. No. 1095.

Illustrations cover a range of engines. Parts shown without corresponding text may not be used on your specific engine.

REF. NO.	PART NO.	DESCRIPTION	REF. NO.	PART NO.	DESCRIPTION	REF. NO.	PART NO.	DESCRIPTION
373A	690713	Nut (Ground Terminal)	455	691517	Cup-Flywheel	526A	690717	Screw (Regulator)(5 To 9 Amp Regulated) (Used After Code Date 90021100).
377	808095	Key-Woodruff	455A	805153	Cup-Flywheel			
383	19374s	Wrench-Spark Plug ----- Note ----- 19576s Wrench-Spark Plug Used on Type No(s). 1128, 1149, 1169, 1171, 1172, 1173, 1175, 1192, 1194, 1196.	456	691529	Plate-Pawl Friction			
			456A	224228	Plate-Pawl Friction			
			459	808166	Pawl-Ratchet			
			459A	492431	Pawl-Ratchet			
			467	691985	Knob-Air Cleaner			
			467A	690895	Knob-Air Cleaner			
			474A	696578	Alternator (DC Only)			
			474B	696459	Alternator (Dual Circuit) Used on Type No(s). 1145, 1147.			
385	807084	Screw (Fuel Pump)	474C	696457	Alternator (Tri Circuit)	527	690423	Clamp-Tube
387	808656	Pump-Fuel	474D	696458	Alternator (Regulated)	529	690744	Grommet
402	690679	Screw (Oil Filter Cover)				544		Armature-Starter (Service With 691564 Starter Motor Only)
403A	690288	Washer (End Cap)				544B		Armature-Starter (Serviced By 499521 Starter Motor Only)
413	693587	Nut (Starter Motor)	493	691503	Bracket-Mounting (Rewind Starter)	544C	490309	Armature-Starter
415	690283	Plug (Square Head)	501	691185	Regulator (3 Wire)(16 Amp) ----- Note -----	552	690701	Bushing-Governor Crank
436	692061	Manifold-Exhaust (Cylinder 2)(Side Outlet)(Used With Customer Supplied Muffler)				552A	806686	Bushing-Governor Crank
			501A	691188	Regulator (2 Wire)(9 Amp)	562	690239	Bolt (Governor Control Lever)
436B	691502	Manifold-Exhaust (Cylinder 1)(Side Outlet)(Used With Customer Supplied Muffler)	503	691532	Strap-Starter	563	691982	Screw (Debris Screen Guard)
			505	690238	Nut (Governor Control Lever)	565	690682	Stud (Oil Filter Adapter)
			506	690677	Screw (Carburetor Cover)	572	690686	Baffle-Breather
436D	805778	Manifold-Exhaust (Wide Area Walker)	507	691972	Insulator	573	841310	Plate-Back
437	691902	Screw (Exhaust Manifold)	510	496881	Drive-Starter	578	692306	Wire Assembly
439	★692154	Seal-O Ring (Crankcase Cover/Sump)	510A	696541	Drive-Starter	578A	692319	Wire Assembly (With Diodes)
			510B	696540	Drive-Starter	596	691492	Screw (Oil Pump)
445	394018s	Filter-Air Cleaner Cartridge (Round)	513	692024	Clutch-Drive	597	690876	Screw (Pawl Friction Plate)
			515	691528	Spring-Pawl	597A	94463	Screw (Pawl Friction Plate)
445A	805113	Filter-Air Cleaner Cartridge (Rectangular)	520	691084	Terminal-Ground (Brass)	598	807625	Shim-End Play (Crankshaft or Camshaft Bearing)
			520A	809077	Terminal-Ground (Ignition Shutoff)	601	691638	Clamp-Hose (Silver)
447	841233	Screw (Air Guide Cover)	523	692101	Dipstick			
447A	807163	Screw (Air Guide Cover)	524	★692053	Seal-Dipstick Tube			
			525	692093	Tube-Dipstick			
			526	692067	Screw (Regulator) (Used Before Code Date 90021000).			

★ Included in Engine Gasket Set-Ref. No. 358.

● Included in Carburetor Overhaul Kit-Ref. No. 121.

◆ Included in Carburetor Gasket Set-Ref. No. 977.

△ Included in Valve Gasket Set-Ref. No. 1095.

Illustrations cover a range of engines. Parts shown without corresponding text may not be used on your specific engine.

303700

REF. NO.	PART NO.	DESCRIPTION	REF. NO.	PART NO.	DESCRIPTION	REF. NO.	PART NO.	DESCRIPTION
601B	691038	Clamp-Hose (Black) ----- Note ----- 95162s Clamp-Hose (Silver)	676	393761	Deflector-Muffler (Side Out)	763	808190	Kit-Starter (For 12 Volt Gear Drive)
608	692102	Starter-Rewind (Used After Code Date 93072500).	676A	397630	Deflector-Muffler (Dual Louvered)			Used on Type No(s). 0100, 0101, 0127, 0139, 0428, 0430, 0434, 1121.
608B	808152	Starter-Rewind (Used Before Code Date 93072600).	676B	396903	Deflector-Muffler (Direct Out)	773	690875	Retainer (Pawl Friction Plate)
613	690297	Screw (Muffler)	677	690661	Screw (Muffler Deflector)	783	695708	Gear-Pinion (Services Aluminum Ring Gear Only)
613A	691902	Screw (Muffler)	689A	262564	Spring-Friction	788	691559	Bracket-Fuel Pump
615	691550	Retainer-Governor Shaft	691	★690680	Seal-Governor Shaft	789	698332	Harness-Wiring Used on Type No(s). 1114, 1166, 1170.
616	806685	Crank-Governor	697	692062	Screw (Drive Cap)	797	693167	Nut (Brush Retainer)
616A	690899	Crank-Governor (Used Before Code Date 99072100).	706	805484	Washer (Breather Assembly) (Used Before Code Date 90111500).	797A	691029	Nut (Brush Retainer)
628A	692062	Screw (Fuel Pump Bracket) ----- Note ----- 806660 Screw (Fuel Pump Bracket) Used on Type No(s). 1114, 1169, 1170, 1172, 1173, 1206.	710	807689	Cover-Oil Filter	801	808778	Cap-Drive
633	◆●690738	Seal-Choke/Throttle Shaft	711A	807084	Screw (Carburetor Shield)	801B	691283	Cap-Drive
635	692076	Boot-Spark Plug	718	806469	Pin-Locating	802	496813	Cap-End
637	●690735	Washer (Throttle Shaft)	718A	805102	Pin-Locating (Used Before Code Date 90091100).	802A	691286	Cap-End
638	690706	Washer (Cylinder Head Cover)	726		Gear-Ring (Steel)(See Reference 23 for Service)	802B		Cap-End (Serviced By 499521 Starter Motor Only)
638A	691551	Washer (Cylinder Head Cover) (Used Before Code Date 03110100).	727	841313	Cover-Starter Drive (Black)	803	690854	Housing-Starter
643	692079	Retainer-Air Filter	729	805827	Clip-Wire (Black)(Spring Steel)	803A	693547	Housing-Starter
650	691982	Screw (Oil Deflector)	729A	805965	Clip-Wire (Black) (Vinyl Covered Zinc)	803B		Housing-Starter (Serviced By 499521 Starter Motor Only)
668A	691500	Spacer (Knurled Insert)	729B	690586	Clip-Wire (Snap In)(Nylon)	803C	494205	Housing-Starter (4 3/8" Housing Length)
668B	●690737	Spacer (Rotating Screen)	732	690688	Screw (Starter Drive Cover)			----- Note ----- 398892 Housing- Starter (4 9/16" Housing Length)
			732A	841233	Screw (Starter Drive Cover)	807	●690733	Spacer-Throttle
			737	690679	Screw (Oil Filter Adapter)	812	△692055	Nut (Rocker Cover) (Used Before Code Date 01120300).
			739	690451	Clip-Debris	816	690706	Washer (Oil Filter Adapter)
			741	691530	Gear-Timing			
			742	●805578	Retainer-E Ring			
			748	692083	Screw (Control Rod Clip)			

★ Included in Engine Gasket Set-Ref. No. 358.

● Included in Carburetor Overhaul Kit-Ref. No. 121.

◆ Included in Carburetor Gasket Set-Ref. No. 977.

△ Included in Valve Gasket Set-Ref. No. 1095.

Illustrations cover a range of engines. Parts shown without corresponding text may not be used on your specific engine.

REF. NO.	PART NO.	DESCRIPTION	REF. NO.	PART NO.	DESCRIPTION	REF. NO.	PART NO.	DESCRIPTION
819	692056	Screw (Muffler Bracket)	875	690894	Base–Air Cleaner (Plastic)	968A	690694	Cover–Air Cleaner (Used With Plastic Air Cleaner Base)
819A	692067	Screw (Muffler Bracket)	876	696539	Kit–Pinion Spring	971A	690699	Screw (Air Cleaner Base to Carburetor)
819B	692198	Screw (Muffler Bracket)	877	393537	Wire/Connector– Alternator (Tri Circuit)	975	807715	Bowl–Float
819D	692062	Screw (Muffler Bracket)	877A	393814	Wire/Connector– Alternator (DC Only)	977	808325	Gasket Set–Carburetor (Used After Code Date 92040600). ----- Note -----
830	809157	Stud–Rocker Arm (Used After Code Date 96033100).	877B	399916	Wire/Connector– Alternator			807716 Gasket Set–Carburetor (Used Before Code Date 92040700).
830A	691497	Stud–Rocker Arm (Used Before Code Date 96040100).	877C	393456	Wire/Connector– Alternator (Dual Circuit)	987	◆●691548	Seal–Throttle Shaft (Used After Code Date 92040600). ----- Note -----
832	692361	Guard–Muffler	878	691955	Harness–Alternator			690734 Seal–Throttle Shaft (Used Before Code Date 92040700).
833	690872	Screw (Air Cleaner Mounting Strap/Stud) (Used After Code Date 97103100).	878A	398661	Harness–Alternator	988	★692063	Gasket–Oil Adapter
833A	841233	Screw (Air Cleaner Mounting Strap/Stud)	879	690757	Cover–Carburetor	988A	★690687	Gasket–Oil Adapter
833B	690699	Screw (Air Cleaner Mounting Strap/Stud)	882	692074	Flange–Exhaust	994	392390	Arrestor–Spark
836	691982	Screw (Muffler Guard)	883A	★△691613	Gasket–Exhaust	996	691577	Shield–Carburetor
842	★691870	Seal–O Ring (Dipstick Tube)	884	690898	Clamp–Muffler (1 9/64" Inside Diameter)	996A	690696	Shield–Carburetor
851	493880s	Terminal–Spark Plug	884A	691956	Clamp–Muffler (1 1/4" Inside Diameter)	1004	690743	Duct–Air (Used With Metal Air Cleaner Base)
862	692542	Strap/Stud–Air Cleaner Mounting	896	691641	Pin–Drive Retainer	1004A	692538	Duct–Air (Used With Plastic Air Cleaner Base)
862A	690896	Strap/Stud–Air Cleaner Mounting	918	393815	Hose–Vacuum (Cut To Required Length)	1011	692929	Tube–Vent (Cut To Required Length)
863	691513	Bracket–Muffler	947	806472	Solenoid–Fuel (Used After Code Date 98062600).	1017	690878	Screen–Oil Pump
863A	224359	Bracket–Muffler	947B	807744	Solenoid–Fuel (Used Before Code Date 98062700).	1019	808036	Kit–Label
865	841312	Cover–Air Guide (Black)	949	690475	Guard–Debris Screen	1022	△★806039s	Gasket–Rocker Cover
865A	807653	Cover–Air Guide (Red)	955	807714	Plug–Carburetor	1023A	691558	Cover–Rocker (Cylinder 1) (With Fuel Pump)
		----- Note -----	955A	691511	Plug–Carburetor	1023B	691494	Cover–Rocker
		841319 Cover–Air Guide (Aluminum)	958A	698183	Valve–Fuel Shut Off (Plastic)	1024	693186	Pump–Oil
868	★△691963	Seal–Valve	967	272490s	Filter–Pre Cleaner (Round)	1025	690689	Spool–Governor
871	692057	Bushing–Valve Guide	967A	805267s	Filter–Pre Cleaner (Rectangular)			
			968	699959	Cover–Air Cleaner (Used With Metal Air Cleaner Base)			

★ Included in Engine Gasket Set–Ref. No. 358.

● Included in Carburetor Overhaul Kit–Ref. No. 121.

◆ Included in Carburetor Gasket Set–Ref. No. 977.

△ Included in Valve Gasket Set–Ref. No. 1095.

Illustrations cover a range of engines. Parts shown without corresponding text may not be used on your specific engine.

303700

REF. NO.	PART NO.	DESCRIPTION	REF. NO.	PART NO.	DESCRIPTION	REF. NO.	PART NO.	DESCRIPTION
1026	691836	Rod-Push (Intake)(Steel)	1051B	691265	Ring-Retaining	1122	93410	Screw (Blower Housing Adapter)
		----- Note -----	1054	280275	Tie-Cable			
		691758 Rod-Push (Exhaust)(Aluminum)	1058	276353	Operator's Manual	1130	690746	Stud (Intake Manifold)
1027	492932s	Filter-Oil (2 1/4" Long)	1059	698516	Kit-Screw/Washer	1134	94464	Washer (Pawl Friction Plate)
		----- Note -----	1083	691626	Nut (End Cap)	1134A	94462	Washer (Pawl Friction Plate)
		491056 Filter-Oil (3 1/4" Long)	1083A	690958	Nut (End Cap)	1135	806497	Washer (Crankcase Cover/Sump)
1028	808235	Adapter-Oil Filter	1090	691293	Retainer-Brush	1254	807084	Screw (Rocker Cover Stud)(Used on Stud For Rocker Cover) (Used After Code Date 01120200).
1029	807323	Arm-Rocker	1091	●691515	Cap-Limiter	1330	272144	Repair Manual
1030	691496	Support-Rocker Arm	1095	842723	Gasket Set-Valve (Used After Code Date 01120200).	1346	492031	Valve-Oil Drain Shut Off
1031	690693	Shaft-Rocker Arm			----- Note -----			
1036		Label-Emissions (Available from an Authorized Briggs & Stratton Service Dealer)			808392 Gasket Set-Valve (Used Before Code Date 01120300).			
1037	●807717	Ball-Choke Locator	1100	690973	Pivot-Rocker Arm			
1051	●690736	Ring-Retaining	1119	691552	Screw (Alternator)			
1051A	691124	Ring-Retaining (Starter Pinion)	1121	810056	Nut (Fuel Pump Bracket)			

★ Included in Engine Gasket Set-Ref. No. 358.

● Included in Carburetor Overhaul Kit-Ref. No. 121.

◆ Included in Carburetor Gasket Set-Ref. No. 977.

△ Included in Valve Gasket Set-Ref. No. 1095.

Illustrations cover a range of engines. Parts shown without corresponding text may not be used on your specific engine.